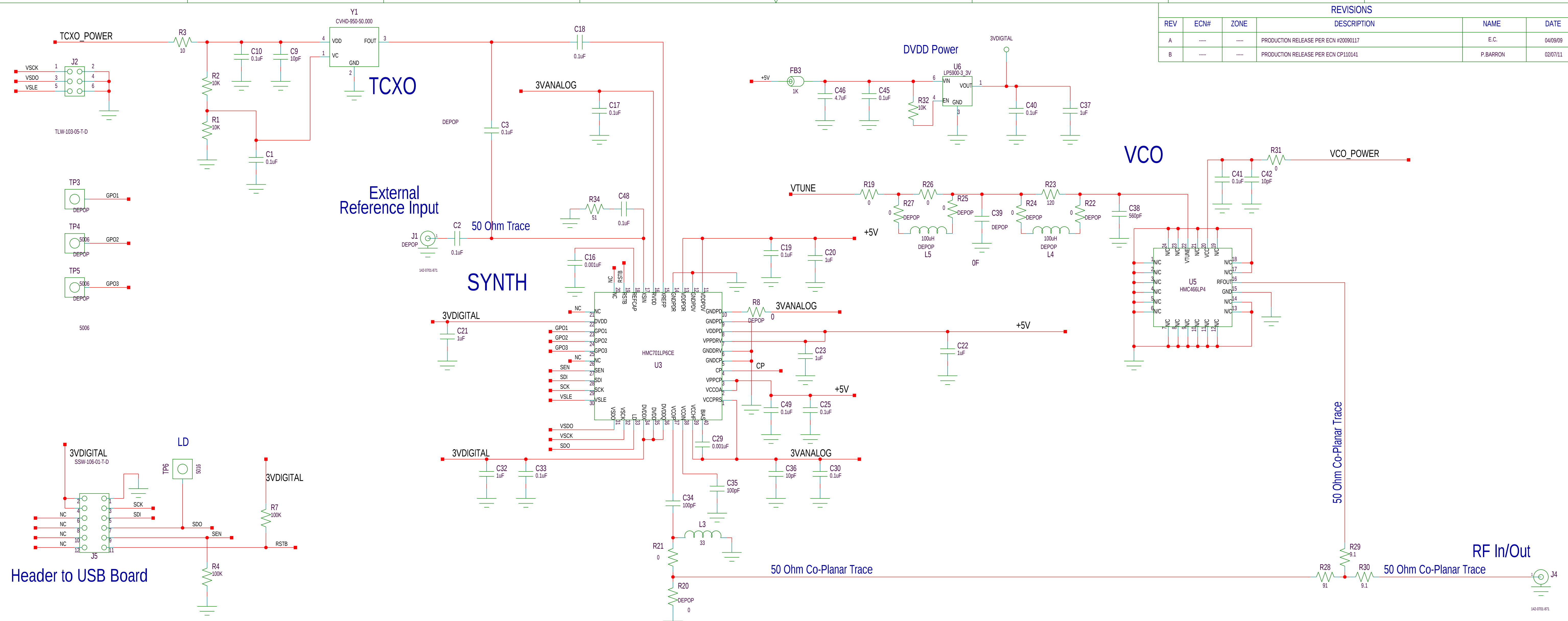
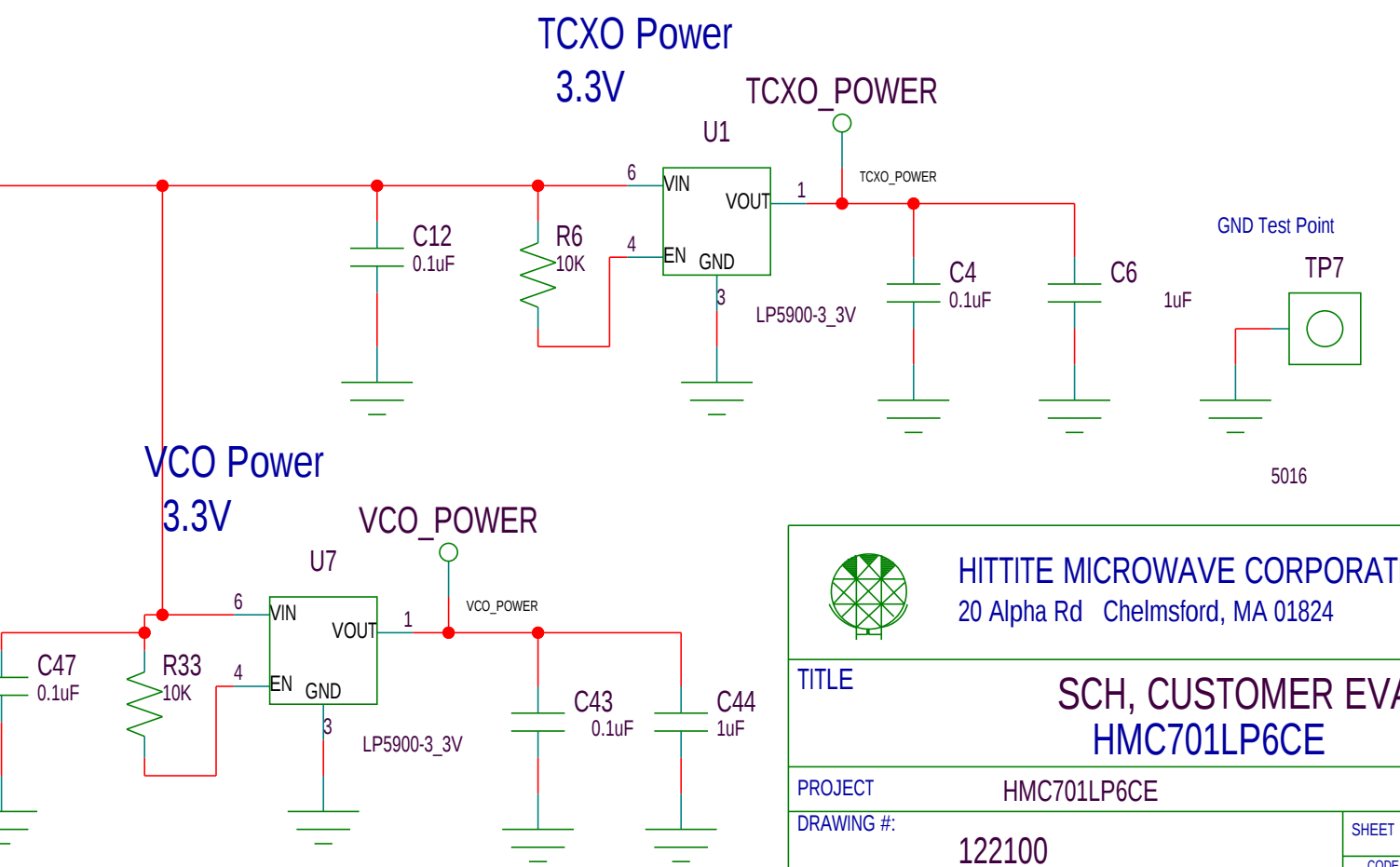
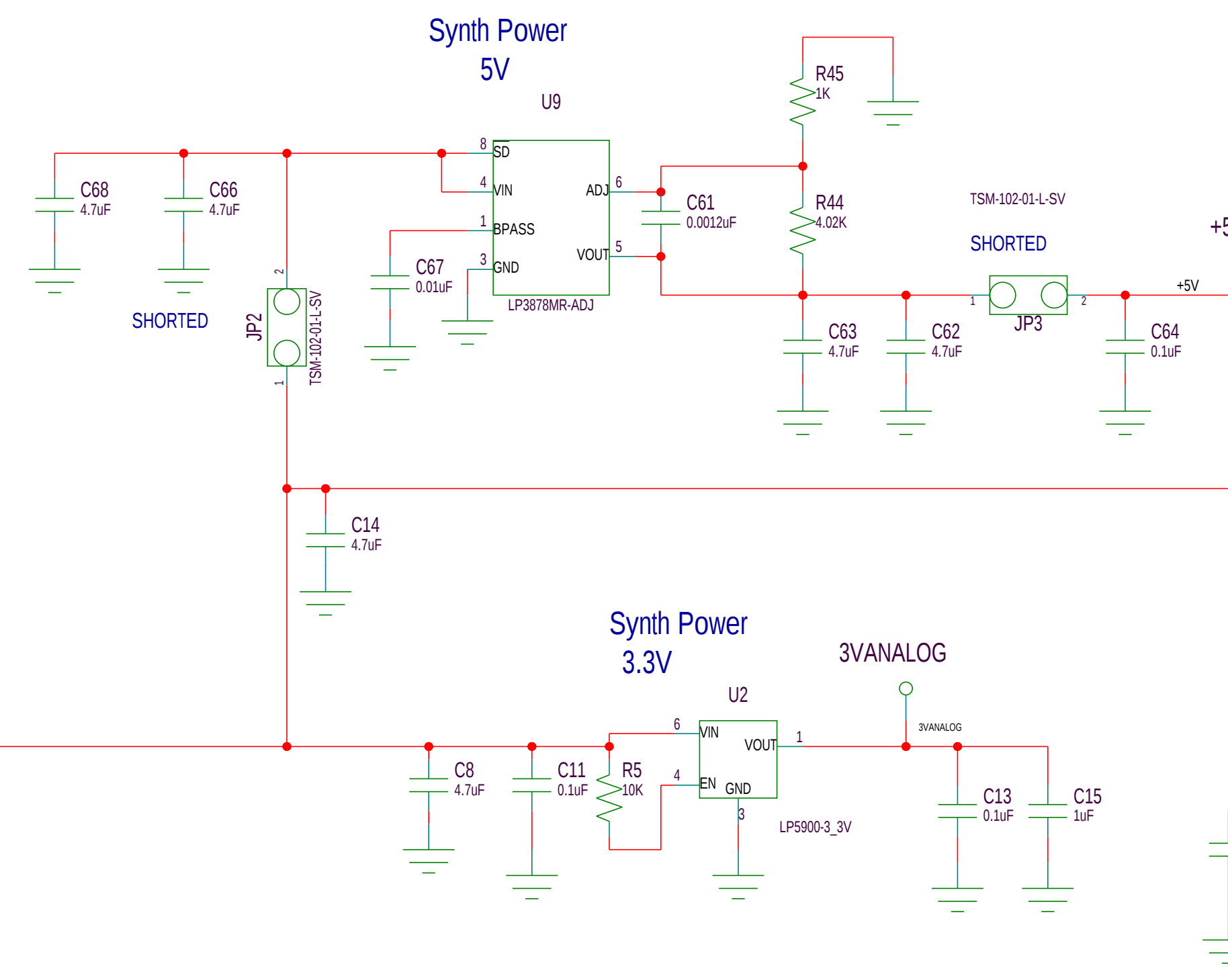
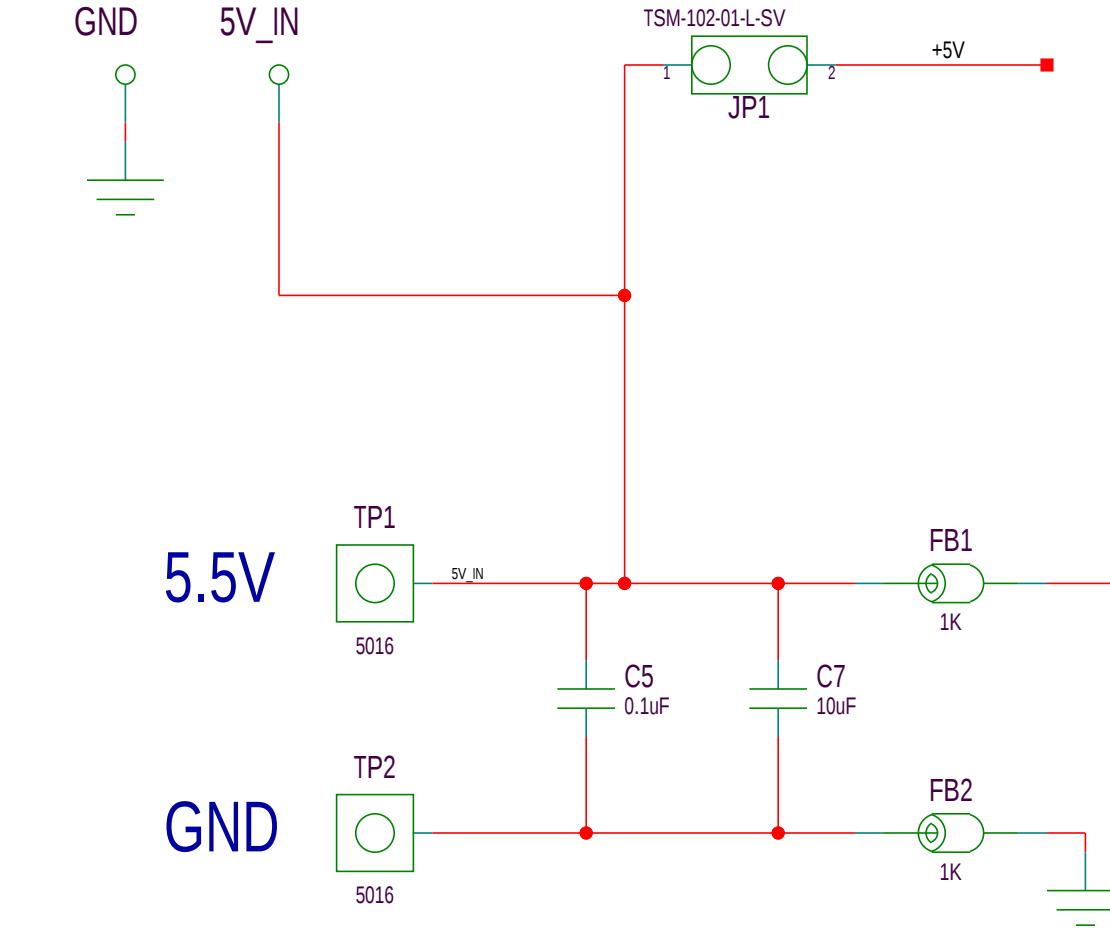


REVISIONS					
REV	ECN#	ZONE	DESCRIPTION	NAME	DATE
A	PRODUCTION RELEASE PER ECN #20090117	E.C.	04/09/09
B	PRODUCTION RELEASE PER ECN CP110141	P.BARRON	02/07/11



5V_IN & GND (for battery connection) should be plated through vias with hole diameter 0.025", approx.

Battery Clip



HITTITE MICROWAVE CORPORATION
20 Alpha Rd Chelmsford, MA 01824

TITLE
SCH, CUSTOMER EVAL
HMC701LP6CE

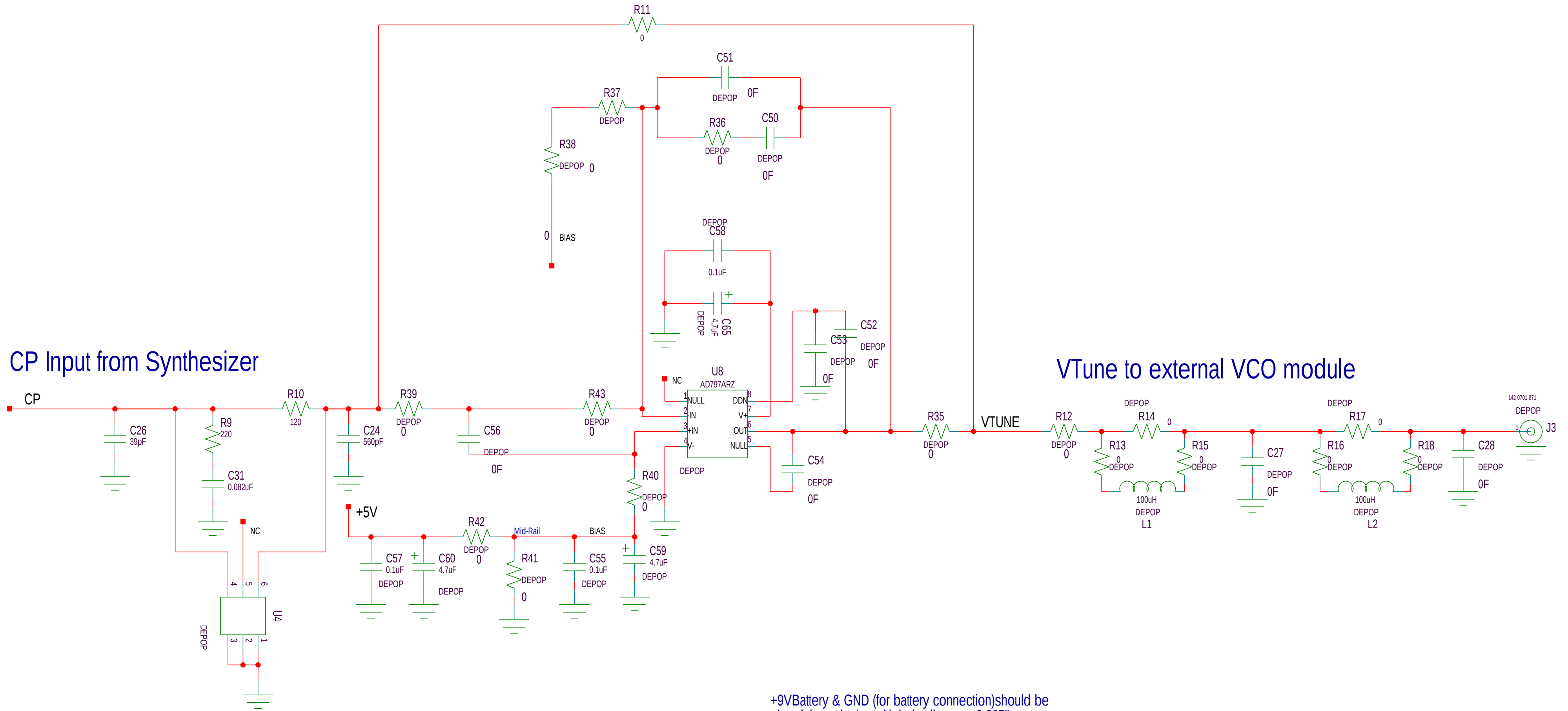
PROJECT	HMC701LP6CE	SHEET	1	OF	2
DRAWING #:	122100	CODE ID NO.	1CN88	SIZE	D
DRAWN BY	P.BARRON	DATE	08/05/23	REV	B

2-7-2011_14:24

NOTICE OF PROPRIETARY PROPERTY: THIS DOCUMENT AND THE INFORMATION CONTAINED IN IT ARE THE PROPRIETARY PROPERTY OF HITTITE MICROWAVE CORPORATION. IT MAY NOT BE COPIED OR USED IN ANY MANNER NOR ANY OF THE INFORMATION IN OR UPON IT BE USED FOR ANY PURPOSE WITHOUT THE EXPRESSED WRITTEN CONSENT OF AN AUTHORIZED AGENT OF HITTITE MICROWAVE CORPORATION.

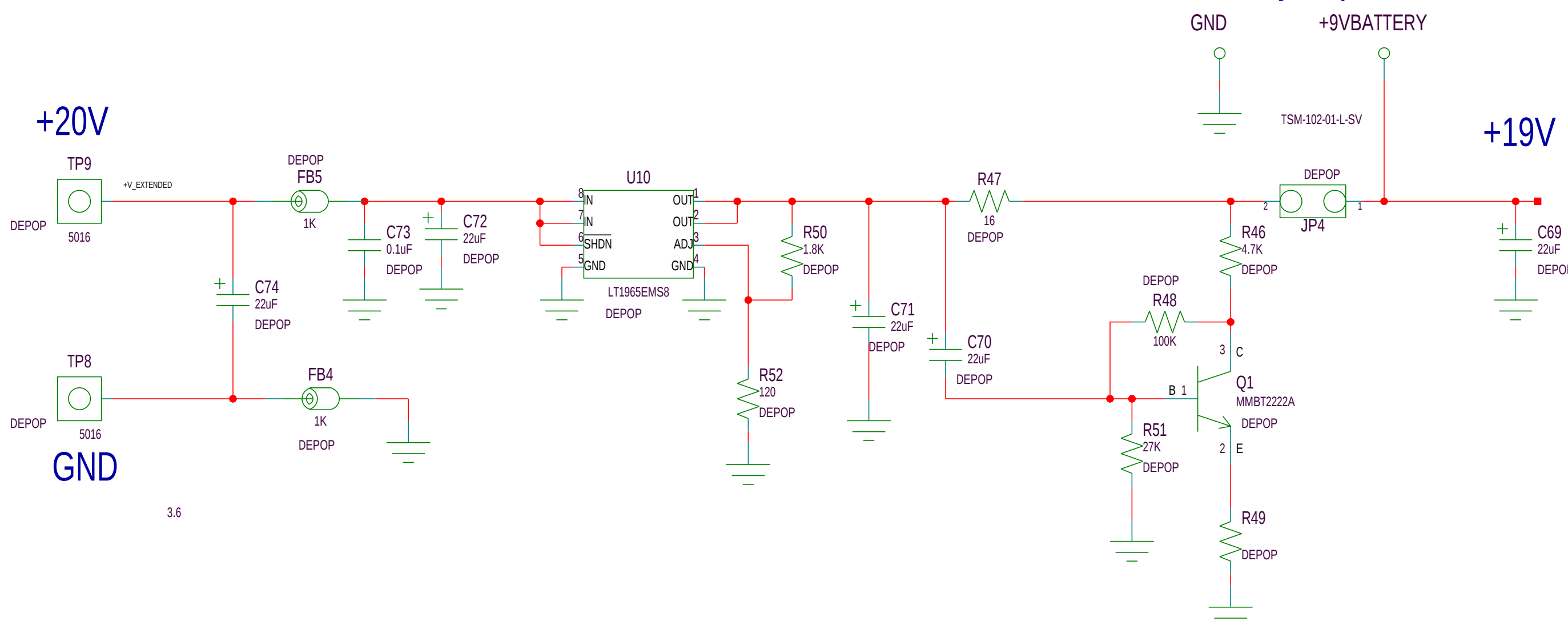
CP Input from Synthesizer

VTune to external VCO module



+9VBattery & GND (for battery connection) should be plated through vias with hole diameter 0.025", approx.

Battery Clip



HITTITE MICROWAVE CORPORATION 20 Alpha Rd Chelmsford, MA 01824	
TITLE SCH, CUSTOMER EVAL HMC701LP6CE	
PROJECT HMC701LP6CE	
DRAWING #: 122100	SHEET 2 OF 2
DRAWN BY P.BARRON	DATE 08/05/23
CODE ID NO. 1CN88	SIZE C
REV B	REV B